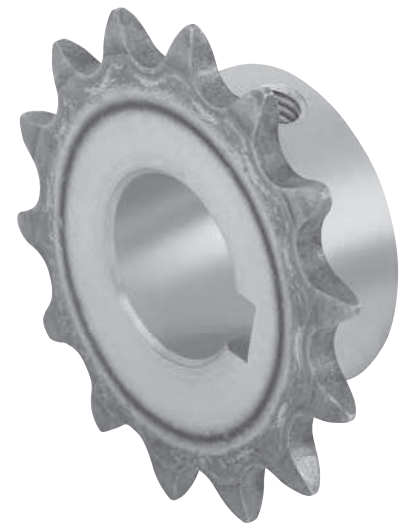
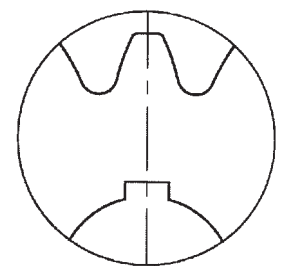


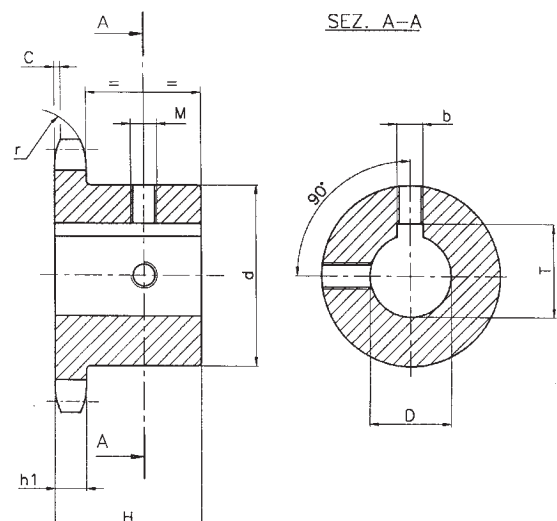
Sprockets have **induction hardened** teeth (45 ÷ 55 HRC).
 Kettenräder haben **induktionsgehärtete** Zähne (45 ÷ 55 HRC).
 Pignons ont denture **traitée par induction** (45 ÷ 55 HRC).
 Piñones tienen dientes **templados por inducción** (45 ÷ 55 HRC).

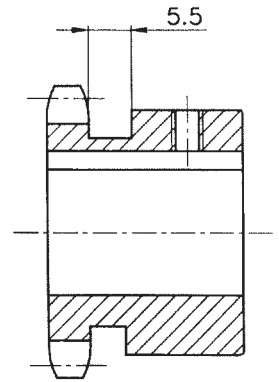
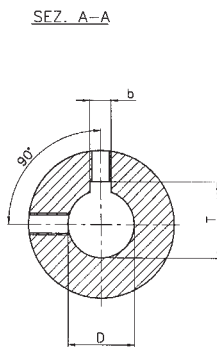
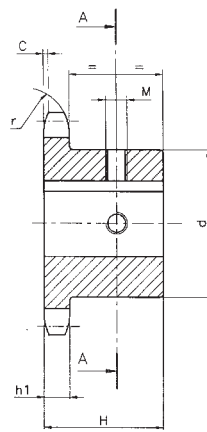


Keyway is located on center line of tooth.
 Die Keilnut befindet sich auf Zahnmitte.
 La rainure de clavette se trouve exactement en axe du dent.
 La chaveta está exactamente en línea con el diente.



D (H7)	B (H9)	T	M
10	4	D + 1,8 (+0,1/0)	M3
11	4	D + 1,8 (+0,1/0)	M3
12	4	D + 1,8 (+0,1/0)	M3
14	5	D + 2,3 (+0,1/0)	M4
16	5	D + 2,3 (+0,1/0)	M4
18	6	D + 2,8 (+0,1/0)	M5
19	6	D + 2,8 (+0,1/0)	M5
20	6	D + 2,8 (+0,1/0)	M5
22	6	D + 2,8 (+0,1/0)	M5
24	8	D + 3,3 (+0,2/0)	M6
25	8	D + 3,3 (+0,2/0)	M6
28	8	D + 3,3 (+0,2/0)	M6
30	8	D + 3,3 (+0,2/0)	M6
32	10	D + 3,3 (+0,2/0)	M8
35	10	D + 3,3 (+0,2/0)	M8
38	10	D + 3,3 (+0,2/0)	M8
40	12	D + 3,3 (+0,2/0)	M10
42	12	D + 3,3 (+0,2/0)	M10
45	14	D + 3,8 (+0,2/0)	M12
48	14	D + 3,8 (+0,2/0)	M12
50	14	D + 3,8 (+0,2/0)	M12
60	18	D + 4,4 (+0,2/0)	M12
65	18	D + 4,4 (+0,2/0)	M12
70	20	D + 4,9 (+0,2/0)	M12





3/8" x 7/32"

Versione (*)
Type (*) · Typ (*) · Tipo (*)

06B-1 9,525 x 5,72 mm

DIN 8187 ISO/R606

CATENA

Passo
Larghezza interna
Rullo ϕ

CHAIN

Pitch
Internal width
Roller ϕ

KETTE

Teilung
Innere Breite
Rollen ϕ

CHAÎNE

Pas
Largeur interieure
 ϕ du rouleau

CADENA

Paso
Ancho interno
Rodillo ϕ

ISO
mm
9,525
5,72
6,35

PIGNONE

Raggio dente r
Larghezza raggio C
Largh. Dente h_1

SPROCKETS

Tooth radius r
Radius width C
Tooth width h_1

KETTENRÄDER

Radius r
Breite C
Zahnbreite h_1

PIGNONS

Rayon de denture r
Largeur de rayon C
Larg. de denture h_1

PIÑONES

Radio diente r
Ancho radio C
Ancho diente h_1

r 10
C 1
 h_1 5,3

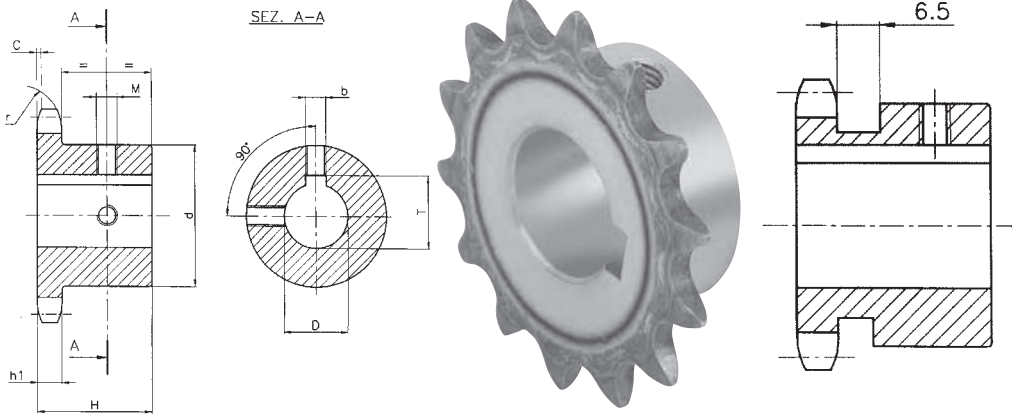
b-T-M pag./page 19

Materiale C 45 E · Material C45 E · Matière C 45 E · Materiel C 45 E - UNI EN 10083-1

CODICE	Z	D	H	d
05SA010	10	10	22	24
05SA110		11		
05SA210		12		
05SA410		14		
05SA011	11	10	25	24
05SA211		12		
05SA411		14		
05SA511		15		
05SA611	16	31*		
05SA012	12	10	25	25
05SA212		12		
05SA412		14		
05SA512		15		
05SA612	16	31*		
05SA013	13	10	25	28
05SA213		12		
05SA413		14		
05SA513		15		
05SA613	16	31		
05SA813	18	35*		
05SA214	14	12	25	31
05SA414		14		
05SA514		15		
05SA614		16		
05SA814	18	35		
05SA914	19	35		
05SA215	15	12	25	34
05SA415		14		
05SA515		15		
05SA615		16		
05SA815	18	35		
05SA915	19	36		
05SB015	20	38		
05SB215	22	42*		
05SB415	24	42*		
05SB515	25	42*		
05SA216	16	12	28	37
05SA416		14		
05SA516		15		
05SA616		16		
05SA816	18	37		
05SA916	19	37		
05SB016	20	37		
05SB216	22	37		

CODICE	Z	D	H	d
05SB416	16	24	28	42
05SB516		25		
05SA217		12		
05SA417		14		
05SA517	15	28	40	
05SA617	16			
05SA817	18			
05SA917	19			
05SB017	20	28	43	
05SB217	22			
05SB417	24			
05SB517	25			
05SA218	18	12	28	42
05SA418		14		
05SA518		15		
05SA618		16		
05SA818	18	28	43	
05SA918	19			
05SB018	20			
05SB218	22			
05SB418	24	28	45	
05SB518	25			
05SA219	12			
05SA419	14			
05SA519	15	28	45	
05SA619	16			
05SA819	18			
05SA919	19			
05SB019	20	28	45	
05SB219	22			
05SB419	24			
05SB519	25			
05SA220	20	12	28	46
05SA420		14		
05SA520		15		
05SA620		16		
05SA820	18	28	46	
05SA920	19			
05SB020	20			
05SB220	22			
05SB420	24	28	48	
05SB520	25			
05SA521	15			
05SA621	16			

CODICE	Z	D	H	d
05SA821	21	18	28	48
05SA921		19		
05SB021		20		
05SB221		22		
05SB421	24	28	50	
05SB521	25			
05SA522	15			
05SA622	16			
05SA822	18	28	52	
05SA922	19			
05SB022	20			
05SB222	22			
05SB422	24	28	52	
05SB522	25			
05SA523	15			
05SA623	16			
05SA823	18	28	54	
05SA923	19			
05SB023	20			
05SB223	22			
05SB423	24	28	54	
05SB523	25			
05SA524	15			
05SA624	16			
05SA824	18	28	54	
05SA924	19			
05SB024	20			
05SB224	22			
05SB424	24	28	54	
05SB524	25			
05SA625	16			
05SA825	18			
05SA925	19	28	57	
05SB025	20			
05SB225	22			
05SB425	24			
05SB525	25	28	57	
05SB030	20			
05SB230	22			
05SB430	24			
05SB530	25	30	60	
05SB830	28			
05SC030	30			



Versione (*)
Type (*) · Typ (*) · Tipo (*)

08B-1 12,7 x 7,75 mm

DIN 8187 ISO/R606

1/2" x 5/16"

CATENA

Passo
Larghezza interna
Rullo ϕ

CHAIN

Pitch
Internal width
Roller ϕ

KETTE

Teilung
Innere Breite
Rollen ϕ

CHAÎNE

Pas
Largeur interieure
 ϕ du rouleau

CADENA

Paso
Ancho interno
Rodillo ϕ

ISO
mm
12,7
7,8
8,5

PIGNONE

Raggio dente r
Larghezza raggio C
Largh. Dente h_1

SPROCKETS

Tooth radius r
Radius width C
Tooth width h_1

KETTENRÄDER

Radius r
Breite C
Zahnbreite h_1

PIGNONS

Rayon de denture r
Largeur de rayon C
Larg. de denture h_1

PIÑONES

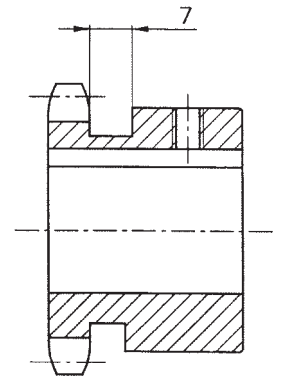
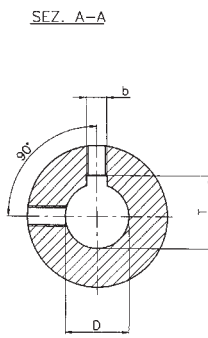
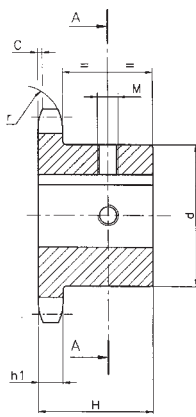
Radio diente r
Ancho radio C
Ancho diente h_1

r 13
C 1,3
 h_1 7,2

b-T-M pag./page 19

Materiale C 45 E · Material C45 E · Matière C 45 E · Materiel C 45 E - UNI EN 10083-1

CODICE	Z	D	H	d	CODICE	Z	D	H	d	CODICE	Z	D	H	d	CODICE	Z	D	H	d	
09SA210	10	12	25	26	09SA515	15	15	28	45	09SC818	18	38	28	56	09SB822	22	28	28	70	
09SA410		14		29	09SA615		16			09SA619		16		09SC022	30					
09SA510		15		30	09SA815		18			09SA819		18		09SC222	32					
09SA610		16		31	09SA915		19			09SA919		19		09SC522	35					
09SA211	11	12	25	29	09SB015	15	20	28	45	09SB019	19	20	28	60	09SC822	23	38	28	70	
09SA411		14		29	09SB215		22			09SB219		22			09SA923		19			
09SA511		15		30	09SB415		24			09SB419		24			09SB023		20			
09SA611		16		31	09SB515		25			09SB519		25			09SB223		22			
09SA811	18	34	09SB815	28	09SB819	28	09SB423	24												
09SA911	19	35	09SC015	30	47	09SC019	30	09SB523	25											
09SA212	12	12	28	33	09SC215	32	49	09SC219	32	09SB823	24	28	28	70	09SC023	24	30	28	70	
09SA412		14			33	09SA516	15	09SC519	35	09SC223		32								
09SA512		15			33	09SA616	16	09SC819	38	09SC523		35								
09SA612		16			33	09SA816	18	09SA620	16	09SC823		38								
09SA812	18	35	09SA916	19	09SA820	18	09SA924	19												
09SA912	19	36	09SB016	16	09SA920	19	09SB024	20												
09SB012	20	36	09SB216	22	09SB020	20	09SB224	22												
09SB212	22	38	09SB416	24	09SB220	22	09SB424	24												
09SB412	24	41*	09SB516	25	09SB420	24	09SB524	25												
09SB512	25	42*	09SB816	28	09SB520	25	09SB824	28												
09SA213	13	12	28	37	09SC016	16	30	28	50	09SB820	20	28	28	64	09SC024	24	30	28	70	
09SA413		14			37		09SC216			32		53			09SC020		30			
09SA513		15			37		09SA517			15		09SC220			32		09SC524			35
09SA613		16			37		09SA617			16		09SC520			35		09SC824			38
09SA813	18	37	09SA817	18	09SC820	38	09SA925	19												
09SA913	19	38	09SA917	19	09SA621	16	09SA925	19												
09SB013	20	38	09SB017	20	09SA821	18	09SB025	20												
09SB213	22	38	09SB217	22	09SA921	19	09SB225	22												
09SB413	24	42	09SB417	24	09SB021	20	09SB425	24												
09SB513	25	42	09SB517	25	09SB221	22	09SB525	25												
09SB813	28	45*	09SB817	28	09SB421	24	09SB825	28												
09SA214	14	12	28	41	09SC017	17	30	28	52	09SB521	21	28	28	68	09SB825	25	30	28	70	
09SA414		14			41		09SC217			32		09SB520			25		09SC025			32
09SA514		15			41		09SA618			16		09SB821			28		09SC225			32
09SA614		16			41		09SA818			18		09SC021			30		09SC525			35
09SA814	18	41	09SA918	19	09SC221	32	09SC825	38												
09SA914	19	41	09SB018	20	09SC521	35	09SB530	25												
09SB014	20	41	09SB218	22	09SC821	38	09SB830	28												
09SB214	22	41	09SB418	24	09SA622	16	09SC030	30												
09SB414	24	41	09SB518	25	09SA822	18	09SC230	32												
09SB514	25	41	09SB818	28	09SA922	19	09SC530	35												
09SB814	28	45	09SC018	30	09SB022	20	09SC830	38												
09SA215	15	12	28	45	09SC218	32	09SB222	22												
09SA415		14			45	09SC518	35	09SB422	24											
										09SB522	25									



Versione (*)
Type (*) · Typ (*) · Tipo (*)

10B-1 15,875 x 9,65 mm

DIN 8187 ISO/R606

5/8" x 3/8"

CATENA

Passo
Larghezza interna
Rullo \emptyset

CHAIN

Pitch
Internal width
Roller \emptyset

KETTE

Teilung
Innere Breite
Rollen \emptyset

CHAÎNE

Pas
Largeur interieure
 \emptyset du rouleau

CADENA

Paso
Ancho interno
Rodillo \emptyset

ISO
mm
15,875
9,7
10

PIGNONE

Raggio dente r
Larghezza raggio C
Largh. Dente h_1

SPROCKETS

Tooth radius r
Radius width C
Tooth width h_1

KETTENRÄDER

Radius r
Breite C
Zahnbreite h_1

PIGNONS

Rayon de denture r
Largeur de rayon C
Larg. de denture h_1

PIÑONES

Radio diente r
Ancho radio C
Ancho diente h_1

r 16
C 1,6
 h_1 9,1

b-T-M pag./page 19

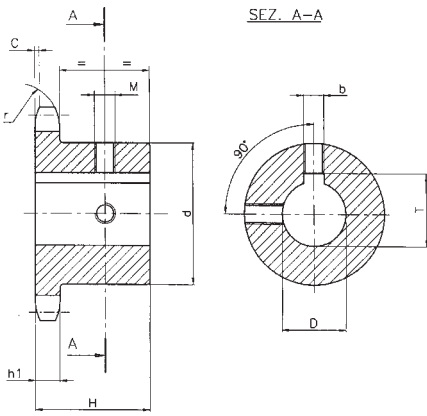
Materiale C 45 E · Material C45 E · Matière C 45 E · Materiel C 45 E - UNI EN 10083-1

CODICE	Z	D	H	d
10SA510	10	15	25	35
10SA610	16			
10SA910	19			
10SB010	20			
10SB410	24			
10SA511	10	15	30	42*
10SA611	16			
10SA811	18			
10SA911	19			
10SB011	20			
10SB411	24			
10SB511	25			
10SB811	28			
10SA512	12	15	30	42
10SA612	16			
10SA812	18			
10SA912	19			
10SB012	20			
10SB212	22			
10SB412	24			
10SB512	25			
10SB812	28			
10SC012	30			
10SC212	32			
10SA513	13	15	30	47
10SA613	16			
10SA813	18			
10SA913	19			
10SB013	20			
10SB213	22			
10SB413	24			
10SB513	25			
10SB813	28			
10SC013	30			
10SC213	32			
10SA514	14	15	30	52
10SA614	16			
10SA814	18			
10SA914	19			
10SB014	20			
10SB214	22			
10SB414	24			
10SB514	25			

CODICE	Z	D	H	d
10SB814	14	28	30	52
10SC014	30			
10SC214	32			
10SA915	19			
10SB015	20			
10SB215	22			
10SB415	24			
10SB515	25			
10SB815	28			
10SC015	30			
10SC215	32			
10SC515	35			
10SA916	15	19	30	57
10SB016	20			
10SB216	22			
10SB416	24			
10SB516	25			
10SB816	28			
10SC016	30			
10SC216	32			
10SC516	35			
10SC816	38			
10SA917	16	19	30	60
10SB017	20			
10SB217	22			
10SB417	24			
10SB517	25			
10SB817	28			
10SC017	30			
10SC217	32			
10SC517	35			
10SB817	38			
10SA918	17	19	30	60
10SB018	20			
10SB218	22			
10SB418	24			
10SB518	25			
10SB818	28			
10SC018	30			
10SC218	32			
10SC518	35			
10SC818	38			
10SD018	40			

CODICE	Z	D	H	d
10SD218	19	42	30	70
10SA919	19			
10SB019	20			
10SB219	22			
10SB419	24			
10SB519	25			
10SB819	28			
10SC019	30			
10SC219	32			
10SC519	35			
10SC819	38			
10SD019	40			
10SD219	42			
10SA920	19	42	30	70
10SB020	20			
10SB220	22			
10SB420	24			
10SB520	25			
10SB820	28			
10SC020	30			
10SC220	32			
10SC520	35			
10SC820	38			
10SD020	40			
10SD220	42			
10SA921	20	28	30	75
10SB021	20			
10SB221	22			
10SB421	24			
10SB521	25			
10SB821	28			
10SC021	30			
10SC221	32			
10SC521	35			
10SC821	38			
10SD021	40			
10SD221	42			
10SA922	21	28	30	75
10SB022	20			
10SB222	22			
10SB422	24			
10SB522	25			
10SB822	28			

CODICE	Z	D	H	d
10SC022	22	30	30	80
10SC222	32			
10SC522	35			
10SC822	38			
10SD022	40			
10SD222	42			
10SA923	22	19	30	80
10SB023	20			
10SB223	22			
10SB423	24			
10SB523	25			
10SB823	28			
10SC023	30			
10SC223	32			
10SC523	35			
10SC823	38			
10SD023	40			
10SD223	42			
10SA924	23	19	30	80
10SB024	20			
10SB224	22			
10SB424	24			
10SB524	25			
10SB824	28			
10SC024	30			
10SC224	32			
10SC524	35			
10SC824	38			
10SD024	40			
10SD224	42			
10SA925	24	19	30	80
10SB025	20			
10SB225	22			
10SB425	24			
10SB525	25			
10SB825	28			
10SC025	30			
10SC225	32			
10SC525	35			
10SC825	38			
10SD025	40			
10SD225	42			



12B-1 19,05 x 11,68 mm

DIN 8187 ISO/R606

3/4" x 7/16"

CATENA

Passo
Larghezza interna
Rullo ϕ

CHAIN

Pitch
Internal width
Roller ϕ

KETTE

Teilung
Innere Breite
Rollen ϕ

CHAÎNE

Pas
Largeur interieure
 ϕ du rouleau

CADENA

Paso
Ancho interno
Rodillo ϕ

ISO
mm

19,05

11,68

12,07

PIGNONE

Raggio dente r
Larghezza raggio C
Largh. Dente h_1

SPROCKETS

Tooth radius r
Radius width C
Tooth width h_1

KETTENRÄDER

Radius r
Breite C
Zahnbreite h_1

PIGNONS

Rayon de denture r
Largeur de rayon C
Larg. de denture h_1

PIÑONES

Radio diente r
Ancho radio C
Ancho diente h_1

r 19

C 2

h_1 11,1

b-T-M pag./page 19

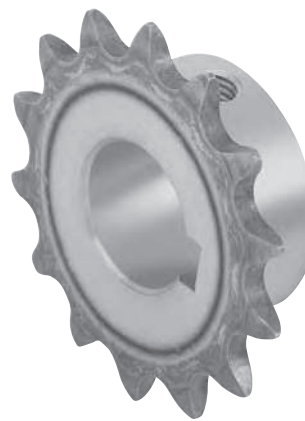
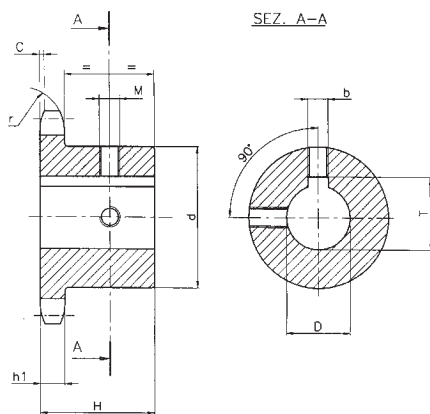
Materiale C 45 E • Material C45 E • Matière C 45 E • Materiel C 45 E - UNI EN 10083-1

CODICE	Z	D	H	d
11SA910	19			
11SB010	20			42
11SB410	24			
11SB510	25	30		
11SB810	28			45
11SC010	30			47
11SC210	32			49
11SA911	19			
11SB011	20			46
11SB411	24			
11SB511	25	35		
11SB811	28			49
11SC011	30			51
11SC211	32			53
11SA912	19			
11SB012	20			
11SB212	22			52
11SB412	24			
11SB512	25	35		
11SB812	28			
11SC012	30			
11SC212	32			53
11SC512	35			56
11SA913	19			
11SB013	20			
11SB213	22			
11SB413	24			
11SB513	25	35		58
11SB813	28			
11SC013	30			
11SC213	32			
11SC513	35			
11SC813	38			
11SA914	19			
11SB014	20			
11SB214	22			
11SB414	24	35		64
11SB514	25			
11SB814	28			
11SC014	30			

CODICE	Z	D	H	d
11SC214		32		
11SC514	14	35	35	64
11SC814		38		
11SD014		40		67
11SA915		19		
11SB015		20		
11SB215		22		
11SB415		24		
11SB515	15	25	35	70
11SC015		30		
11SC215		32		
11SC515		35		
11SC815		38		
11SD015		40		
11SA916		19		
11SB016		20		
11SB216		22		
11SB416		24		
11SB516		25		
11SB816	16	28	35	75
11SC016		30		
11SC216		32		
11SC516		35		
11SC816		38		
11SD016		40		
11SB517		25		
11SB817		28		
11SC017		30		
11SC217		32		
11SC517	17	35	35	80
11SC817		38		
11SD017		40		
11SD217		42		
11SB518		25		
11SB818		28		
11SC018		30		
11SC218	18	32	35	80
11SC518		35		
11SC818		38		

CODICE	Z	D	H	d
11SD018		40		
11SD218	18	42	35	80
11SB519		25		
11SB819		28		
11SC019		30		
11SC219		32		
11SC519		35		
11SC819	19	38	35	80
11SD019		40		
11SD219		42		
11SD519		45		
11SD819		48		
11SE019		50		
11SB520		25		
11SB820		28		
11SC020		30		
11SC220		32		
11SC520		35		
11SC820	20	38	35	80
11SD020		40		
11SD220		42		
11SD520		45		
11SD820		48		
11SE020		50		
11SB521		25		
11SB821		28		
11SC021		30		
11SC221		32		
11SC521		35		
11SC821	21	38	40	90
11SD021		40		
11SD221		42		
11SD521		45		
11SD821		48		
11SE021		50		
11SB522		25		
11SB822		28		
11SC022	22	30	40	90
11SC222		32		
11SC522		35		

CODICE	Z	D	H	d
11SC822		38		
11SD022		40		
11SD222	22	42	40	90
11SD522		45		
11SD822		48		
11SE022		50		
11SB523		25		
11SB823		28		
11SC023		30		
11SC223		32		
11SC523		35		
11SC823	23	38	40	90
11SD023		40		
11SD223		42		
11SD523		45		
11SD823		48		
11SE023		50		
11SB524		25		
11SB824		28		
11SC024		30		
11SC224		32		
11SC524		35		
11SC824	24	38	40	90
11SD024		40		
11SD224		42		
11SD524		45		
11SD824		48		
11SE024		50		
11SB525		25		
11SB825		28		
11SC025		30		
11SC225		32		
11SC525		35		
11SC825	25	38	40	90
11SD025		40		
11SD225		42		
11SD525		45		
11SD825		48		
11SE025		50		



1" x 17,02 mm

16B-1 25,4 x 17,02 mm

DIN 8187 ISO/R606

CATENA

Passo
Larghezza interna
Rullo \varnothing

CHAIN

Pitch
Internal width
Roller \varnothing

KETTE

Teilung
Innere Breite
Rollen \varnothing

CHAÎNE

Pas
Largeur interieure
 \varnothing du rouleau

CADENA

Paso
Ancho interno
Rodillo \varnothing

ISO
mm
25,4
17,02
15,88

PIGNONE

Raggio dente r
Larghezza raggio C
Largh. Dente h_1

SPROCKETS

Tooth radius r
Radius width C
Tooth width h_1

KETTENRÄDER

Radius r
Breite C
Zahnbreite h_1

PIGNONS

Rayon de denture r
Largeur de rayon C
Larg. de denture h_1

PIÑONES

Radio diente r
Ancho radio C
Ancho diente h_1

r **26**
C **2,5**
 h_1 **16,2**

b-T-M pag./page 19

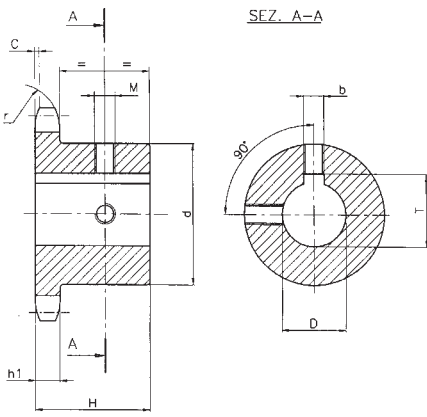
Materiale C 45 E • Material C45 E • Matière C 45 E • Materiel C 45 E - UNI EN 10083-1

CODICE	Z	D	H	d			
12SB511	11	25	40	61			
12SB811		28					
12SC011		30					
12SC211		32					
12SC511		35					
12SC811		38					
12SD011		40					
12SD211		42					
12SB512		12			25	40	69
12SB812					28		
12SC012	30						
12SC212	32						
12SC512	35						
12SC812	38						
12SD012	40						
12SD212	42						
12SB513	13		25	40	78		
12SB813			28				
12SC013		30					
12SC213		32					
12SC513		35					
12SC813		38					
12SD013		40					
12SD213		42					
12SD513		45					
12SD813		48					
12SE013	50						
12SB514	14	25	40	84			
12SB814		28					
12SC014		30					
12SC214		32					
12SC514		35					
12SC814		38					
12SD014		40					
12SD214		42					
12SD514		45					
12SD814		48					
12SE014	50						
12SB515	15	25	40	92			
12SB815		28					

CODICE	Z	D	H	d
12SC015	15	30	40	92
12SC215		32		
12SC515		35		
12SC815		38		
12SD015		40		
12SD215		42		
12SD515		45		
12SD815		48		
12SE015		50		
12SB516		16		
12SB816	28			
12SC016	30			
12SC216	32			
12SC516	35			
12SC816	38			
12SD016	40			
12SD216	42			
12SD516	45			
12SD816	48			
12SE016	50			
12SB517	17	25	45	100
12SB817		28		
12SC017		30		
12SC217		32		
12SC517		35		
12SC817		38		
12SD017		40		
12SD217		42		
12SD517		45		
12SD817		48		
12SE017	50			
12SB518	18	25	45	100
12SB818		28		
12SC018		30		
12SC218		32		
12SC518		35		
12SC818		38		
12SD018		40		
12SD218		42		
12SD518		45		

CODICE	Z	D	H	d			
12SD818	18	48	45	100			
12SE018		50					
12SB519		19			25	45	100
12SB819					28		
12SC019					30		
12SC219					32		
12SC519					35		
12SC819					38		
12SD019					40		
12SD219					42		
12SD519	45						
12SD819	48						
12SE019	50						
12SB520	20	25	45	100			
12SB820		28					
12SC020		30					
12SC220		32					
12SC520		35					
12SC820		38					
12SD020		40					
12SD220		42					
12SD520		45					
12SD820		48					
12SE020	50						
12SB521	21	25	50	110			
12SB821		28					
12SC021		30					
12SC221		32					
12SC521		35					
12SC821		38					
12SD021		40					
12SD221		42					
12SD521		45					
12SD821		48					
12SE021	50						
12SB522	22	25	50	110			
12SB822		28					
12SC022		30					
12SC222		32					
12SC522		35					

CODICE	Z	D	H	d			
12SC822	22	38	50	110			
12SD022		40					
12SD222		42					
12SD522		45					
12SD822		48					
12SE022		50					
12SB523		23			25	50	110
12SB823					28		
12SC023					30		
12SC223					32		
12SC523	35						
12SC823	38						
12SD023	40						
12SD223	42						
12SD523	45						
12SD823	48						
12SE023	50						
12SB524	24	25	50	110			
12SB824		28					
12SC024		30					
12SC224		32					
12SC524		35					
12SC824		38					
12SD024		40					
12SD224		42					
12SD524		45					
12SD824		48					
12SE024	50						
12SB525	25	25	50	110			
12SB825		28					
12SC025		30					
12SC225		32					
12SC525		35					
12SC825		38					
12SD025		40					
12SD225		42					
12SD525		45					
12SD825		48					
12SE025	50						



1" x 1/4 x 3/4"

20B-1 31,75 x 19,56 mm

DIN 8187 ISO/R606

CATENA

Passo
Larghezza interna
Rullo ϕ

CHAIN

Pitch
Internal width
Roller ϕ

KETTE

Teilung
Innere Breite
Rollen ϕ

CHAÎNE

Pas
Largeur interieure
 ϕ du rouleau

CADENA

Paso
Ancho interno
Rodillo ϕ

ISO
mm
31,75
19,56
19,05

PIGNONE

Raggio dente r
Larghezza raggio C
Largh. Dente h_1

SPROCKETS

Tooth radius r
Radius width C
Tooth width h_1

KETTENRÄDER

Radius r
Breite C
Zahnbreite h_1

PIGNONS

Rayon de denture r
Largeur de rayon C
Larg. de denture h_1

PIÑONES

Radio diente r
Ancho radio C
Ancho diente h_1

r 32
C 3,5
 h_1 18,5

b-T-M pag./page 19

Materiale C 45 E • Material C45 E • Matière C 45 E • Matériel C 45 E - UNI EN 10083-1

CODICE	Z	D	H	d
13SB509	09	25	40	63
13SC009		30		
13SC209		32		
13SC509		35		
13SC809		38		
13SB510	10	25	40	70
13SC010		30		
13SC210		32		
13SC510		35		
13SC810		38		
13SB511	11	25	45	77
13SB811		28		
13SC011		30		
13SC211		32		
13SC511		35		
13SC811		38		
13SD011		40		
13SD211		42		
13SD511		45		
13SE011		50		
13SF011		60		
13SB512	12	25	45	88
13SB812		28		
13SC012		30		
13SC212		32		
13SC512		35		
13SC812		38		
13SD012		40		
13SD212		42		
13SD512		45		
13SD812		48		
13SE012		50		
13SF012	60			
13SB513	13	25	45	98
13SB813		28		
13SC013		30		
13SC013		30		

CODICE	Z	D	H	d
13SC213	13	32	45	98
13SC513		35		
13SC813		38		
13SD013		40		
13SD213		42		
13SD513		45		
13SD813		48		
13SE013		50		
13SF013		60		
13SC214		14		
13SC514	35			
13SC814	38			
13SD014	40			
13SD214	42			
13SD514	45			
13SC814	48			
13SE014	50			
13SF014	60			
13SC215	15		32	45
13SC515		35		
13SC815		38		
13SD015		40		
13SD215		42		
13SD515		45		
13SD815		48		
13SE015		50		
13SF015		60		
13SC816		16	38	
13SD016	40			
13SD216	42			
13SD516	45			
13SD816	48			
13SE016	50			
13SF016	60			
13SF516	65			
13SG016	70			

CODICE	Z	D	H	d
13SC817	17	38	50	120
13SD017		40		
13SD217		42		
13SD517		45		
13SD817		48		
13SE017		50		
13SF017		60		
13SC818	18	38	50	120
13SD018		40		
13SD218		42		
13SD518		45		
13SD818		48		
13SE018		50		
13SF018		60		
13SC819	19	38	50	120
13SD019		40		
13SD219		42		
13SD519		45		
13SD819		48		
13SE019		50		
13SF019		60		
13SC820	20	38	50	120
13SD020		40		
13SD220		42		
13SD520		45		
13SD820		48		
13SE020		50		
13SF020		60		
13SC820	20	38	50	120
13SD020		40		
13SD220		42		
13SD520		45		
13SC820	20	48	50	120
13SD820		48		
13SE020		50		
13SF020		60		
13SC820	20	65	50	120
13SD820		65		
13SF020		65		
13SC820	20	70	50	120
13SD820		70		
13SC820	20	70	50	120